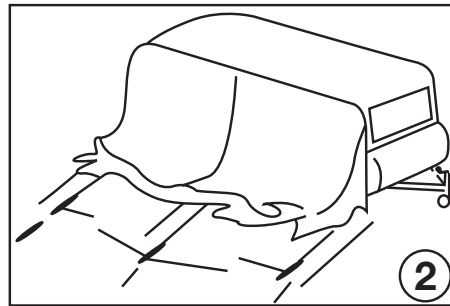
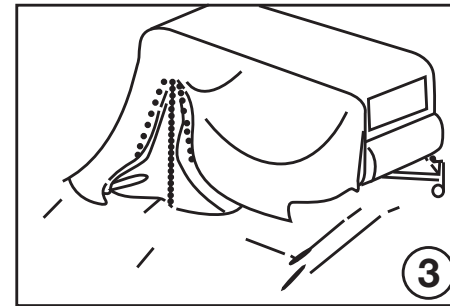


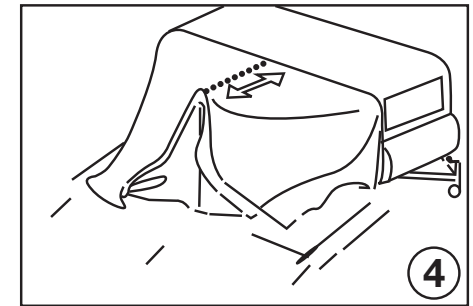
1 Identify poles from the diagram supplied with your choice of frame and lay them out in front of the caravan.



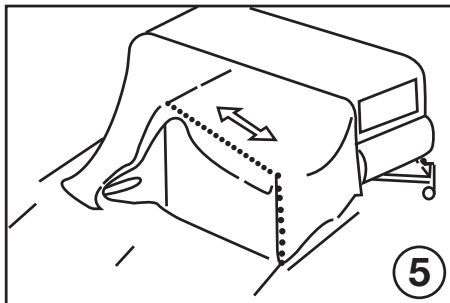
2 Unroll canvas and slide into channel. Centralise awning roof with caravan. Slide bracket pads onto fitment under awning roof.



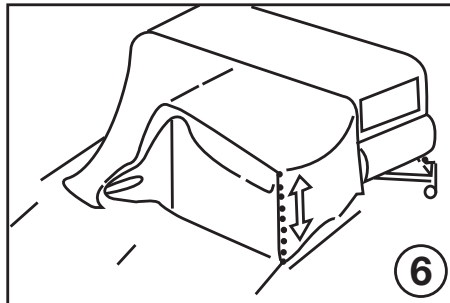
3 Offer centre joint, with upright pole attached, to centre front of roof.



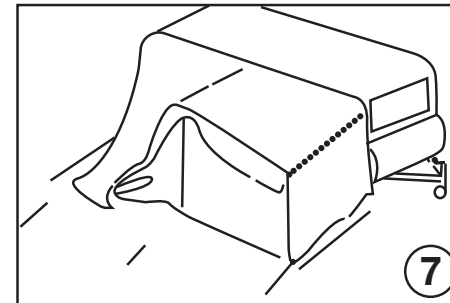
4 Fit roof bracer to centre bracer pad, then to centre joint. Tension out from caravan.



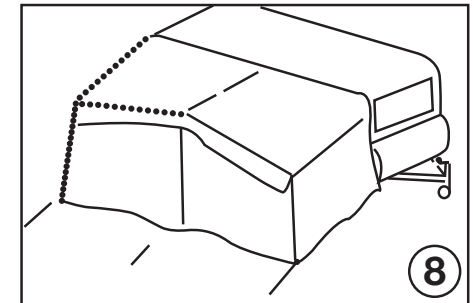
5 Offer right joint, with upright pole attached, to right corner of roof and fit ridge pole between here and centre joint, then tension.



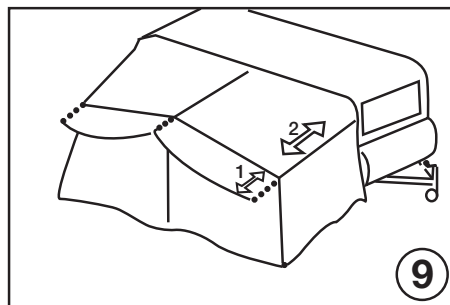
6 Adjust height of upright pole to approximately 6 feet.



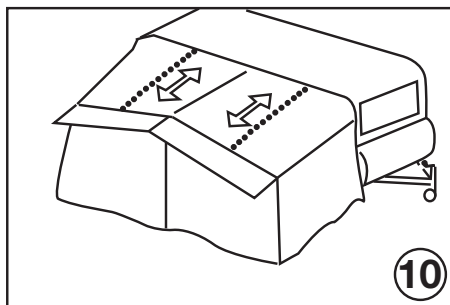
7 Fit roof bracer to bracer pad, then to right joint. Tension out from caravan.



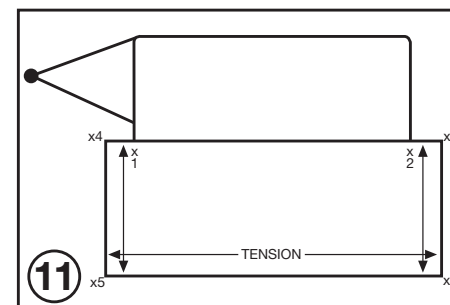
8 Repeat 5, 6 and 7 for left side of awning.



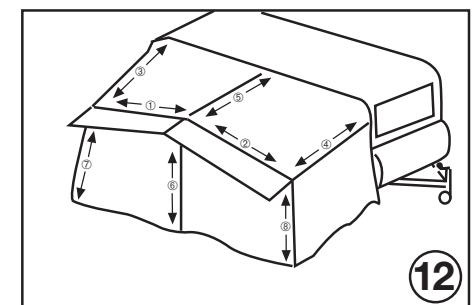
9 Reduce tension of roof bracers, fit canopy poles into joints, placing hooks through canopy eyelets, then re-tension roof bracers.



10 If the frame that you purchased with your awning specifies that you fit intermediate roof bracers and intermediate upright legs, then position these poles as shown in diagram 10.



11 **Pegging Procedure Floor Plan**
Insert pegs in order shown keeping base line tensioned and square to caravan. Fill in with intermediate pegs after position 6, cross pegging at all doorways.



12 **Final Tensioning Procedure**
Tension all poles in order shown, 1 to 8.

Note: Intermediate roof bracers/upright legs are made available in the following frame options and where supplied should be used in all circumstances.
Standard Steel: Awning size 960cm-1110cm Easy Alloy: Awning size 900cm-1110cm Fibre: Awning size 900cm-1110cm

GENERAL CARE OF YOUR AWNING

The following are some general do's and don'ts to help get long and faithful service from your awning:

- Do** open out your awning at home and check the contents.
- Do** ensure the awning rail on your caravan is clean and smooth running.
- Do** dry the awning fully within 7 days of taking down.
- Do** wipe each pole with a dry cloth after the frame has been dismantled.
- Do** ventilate your awning, condensation will form on the underside of the roof.
- Do** be aware that your awning will leak until "weathering" is complete.
- Do** clean all mud etc. from mud and splash walls after each use.
- Do** feel free to wipe the awning clean with a clean cloth and tepid water.
- Do** use the instruction card and familiarise yourself with all the parts.
- Do** contact our "Customer Support Unit" free for any advice. **0800 9804886**.

- Don't** pack your awning away when wet.
- Don't** clean the awning with any type of detergent.
- Don't** use any aerosol sprays on or near the canvas parts.
- Don't** use any canvas stretching devices.
- Don't** attach guy ropes to the end of canopy poles, use the joints instead.
- Don't** use an awning "strap" pegging device unless it is an approved Bradcot type.
- Don't** use any electrical appliances inside the awning.
- Don't** cook with a naked flame inside the awning.
- Don't** attempt to erect the awning in windy conditions.
- Don't** leave your awning unattended for long periods.

Please do not expect to erect the awning first time out in a few minutes. It takes practice and patience, so please try not to lose your temper with your assistant !



BRADCOT

BRADCOT AWNING ERECTION INSTRUCTIONS

This card contains instructions on erecting your Bradcot awning. The diagrams refer to a full awning type but should also be used for a porch type awning, the principal being the same but having no centre section of framework.

Please keep this card along with your guarantee details in the pocket provided on the side of the main canvas bag.

Upon opening the awning box please check the contents and then call our **customer support unit** on **0800 9804886** to register for your free accidental damage cover - or go online at **www.bradcot-awnings.co.uk**.